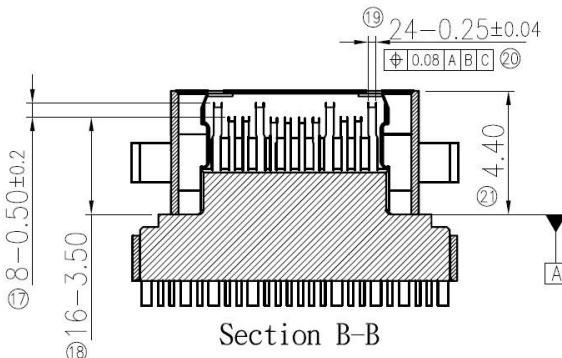
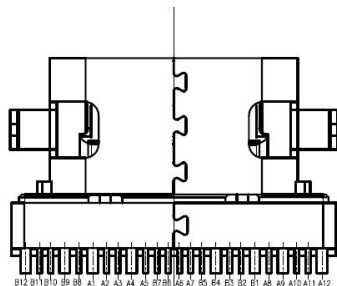
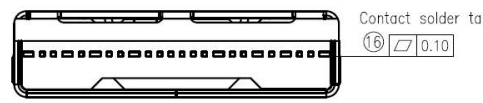


- NOTES :
- MATERIAL:
 - 1-1 HOUSING: HIGH TEMPERATURE PLASTIC STANDRAD COLOR-BLACK
 - 1-2 CONTACTS: COPPER ALLOY
 - 1-3 SHELL: STAINLESS STEEL
 - PLATING:
 - 2-1 CONTACT AREA: GOLD PLATING
 - 2-2 SOLDER AREA: MATTE TIN 50u" MIN. OVER Ni 50u" MIN.
 - 2-3 SHELL SOLDER AREA: GOLD FLASH AND OVER Ni 20u" MIN.
 - OPERATING TEMPERATURE RANGE: -40 C TO +85 C
 - MECHANICAL PERFORMANCE:
 - 4-1 MATING FORCE: 5-20N .
 - 4-2 UNMATING FORCE: 8-20N. 1-1, 000 CYCLES
6-20N. 1, 001-10, 000 CYCLES
 - 4-3 DURABILITY: 10, 000 CYCLES.
 - ELECTRICAL PERFORMANCE:
 - 5-1 RATED VOLTAGE MAX: AC 20V RMS
 - 5-1 RATED CURRENT MAX: 1. 25A FOR (A1, A4, A9, A12, B1, B4, B9, B12)
0. 25A FOR OTHER PER PIN
 - 5-2 CONTACT RESISTANCE(PER CONTACT): 40 mohm MAX.



PART NUMBER :
ROKI - UC24SM2XX

30=CONTACT AREA GOLD PLATED 30u"
15=CONTACT AREA GOLD PLATED 15u"
05=CONTACT AREA GOLD PLATED 5u"

 銓基電子股份有限公司
ROKI ELECTRONICS CO., LTD.

PART NAME : USB TYPE-C RECEPTACLE MIN (SMT TYPE)-沉板單排 24PIN	SCALE :
PART NO : ROKI-UC24SM2□□ SERIES	UNIT : mm
TOLERANCE : .XXX±0.08, .XX±0.13mm, .X±0.25mm	VER : R02